

# BOFORS 40 MK3 NAVAL GUN SYSTEM

## “Expect The Unexpected”

### KEY FEATURES

Modern ships must be able to operate in different levels of conflict; from peacekeeping operations where the gun is used for firing warning shots, law-enforcement missions against pirates, smugglers and terrorists, and finally, full war conditions where the gun is a vital part of the ship's self-defence against ships, attack aircraft and anti-ship missiles and shore targets. In the littoral scenario the gun must have the capability to engage threats that were impossible to engage with conventional gun systems.

Survivability in such an environment requires an extremely flexible weapon system. Bofors 40 Mk3 gun system with its high rate of fire and immediate switch capability between optimized ammunition types, including the smart 40 mm 3P All-target ammunition, provides high survivability and tactical freedom at all levels of conflict.

- Multi-target capability
- 6-mode programmable all-target ammunition
- Air burst capability for small boat defence and engagement of concealed targets
- 330 rounds per minute rate of fire and super accuracy gives short firing sequences
- 101 rounds ready to fire with immediate shift between two types of ammunition
- On-mount muzzle velocity radar
- Computer-controlled burst pattern
- Remotely-operated with gyro-stabilized local control back-up
- Maximum range: 12,500 metres



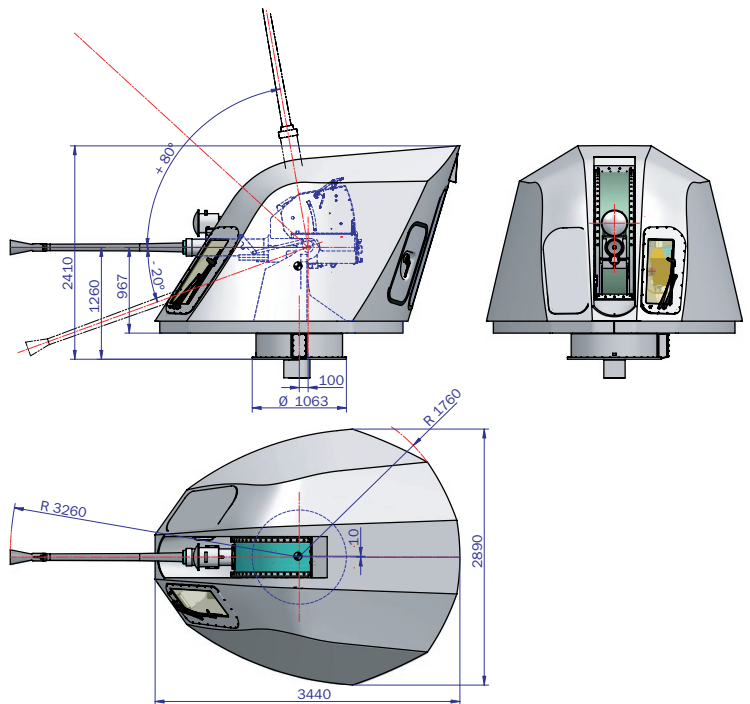


## BOFORS 40 MK3 NAVAL GUN SYSTEM PERFORMANCE DATA

### Technical Data:

- Rounds in gun: 101 rounds
- Time to open fire at 45° training and 35° elevation from stand-by condition: 1.9 s
- Rate of fire: 330 rounds/min (one second one engagement)
- Muzzle velocity: 1,012 m/s
- Max range: 12,500 m
- Dispersion (typical values):
  - Elevation (s-value) 0.6 mrad
  - Training (s-value) 0.6 mrad
- Life of barrel: up to 5,000 rounds
- Above deck turret excl. ammunition: approx. 3,700 kg
- Complete ship-set incl. onboard spares and tools and 101 rounds in gun turret: approx. 4,500 kg
- Gyro-stabilized in local control

### Gun dimensions:



### FOR MORE INFORMATION CONTACT:

BAE Systems Bofors AB

Telephone +46 (0)586 733 000

Fax +46 (0)586 733 012

Email [info@baesystems.se](mailto:info@baesystems.se)

[www.baesystems.se](http://www.baesystems.se)

This document gives only a general description of the product or services and except where expressly provided otherwise shall not form part of any contract. From time to time, changes may be made in the products or the conditions of supply.

2006© Copyright BAE Systems Bofors AB

08.06.CDN.2954